

# CMH-N Series

## Flexible Refrigerant

### SPECIFICATIONS

- Rifled copper tubing, enhanced aluminum fins
- Immersion-tested at 500 psi, then nitrogen-pressurized and sealed
- Left-hand refrigerant connections with down-turned headers
- Foam sheet for sealing, drain elbow + hose & clamp
- Heavy duty plastic drain pans on all models
- AHRI certifiable with certain brands of A/C and heat pump systems
- R22 / R410A AC & HP Compatible
- R32 / R454B AC & HP Compatible with RDS Kit (76701706)
- Factory-installed refrigerant sensor bracket
- Externally mounted flowwater body, Field-installed expansion valves available separately

### Line-Set Connection Size

1-1/2 - 3 Ton 3/8" x 3/4"  
3-1/2 - 5 Ton 3/8" x 7/8"

### Real-Time Ratings Generator



For Comfort-Aire/Century extended OEM ratings, please visit [www.marsdeliversratings.com](http://www.marsdeliversratings.com)



## MANUFACTURED HOUSING COILS



*Representative drawing only.  
Some models may vary in appearance.*

### R410A

TXV for 1.5 - 2.5 Ton H4TXV01  
TXV for 3 - 4 Ton H4TXV02  
TXV for 5 Ton H4TXV03

### R454B

TXV for 1.5 - 3 Ton 26Z70  
TXV for 3.5 - 4 Ton 26Z71  
TXV for 5 Ton 26Z72

### R32

TXV for 1.5 - 3 Ton 167758801A  
TXV for 3.5 - 5 Ton 167758802A



**Warranty**—6 years on parts, 10 years when installed as a part of a residential AHRI matched system (Some limitations apply; see printed warranty for details.)  
[www.marsdelivers.com](http://www.marsdelivers.com)

# CMH-N Series

## DIMENSIONS

Coil Model	Nominal Tonnage	Dimensions			Weight	Pallet Qty	Factory Piston
		Pan Widths (W)"	Pan Depth (D)"	Coil Height (H)"			
CMH18/36PM1MN	1.5 - 3	18"	19-1/2"	17"	32	8	67
CMH24/30PM1MN	2 - 2.5	18"	19-1/2"	19"	35	8	59
CMH36PM2MN	2.5 - 3	18"	19-1/2"	19"	45	8	67
CMH42/48PM1MN	3.5 - 4	18"	19-1/2"	19"	35	8	76
CMH42/48PM2MN	3.5 - 4	18"	19-1/2"	19"	45	8	76
CMH48PM2MN	3.5 - 4	18"	19-1/2"	*21"	48	4	93
CMH48/60PM1MN	4 - 5	18"	19-1/2"	*25"	46	4	93
CMH48/60PM2MN	4 - 5	18"	19-1/2"	*23"	49	4	93

*\*(In reference to coil model number) NOTE: 21" or taller coils can only be used with the following equipment combinations -*

*Nortek Style:  
E7-Series Electric Furnaces (All Models)  
MG1E/MG2R/M5SB with 922594 26" Coil Box (NOT FOR STANDARD 20" COIL BOX)*

*JCI Style:  
EBE-Series Electric Furnaces with  
3500-8602 Cabinet Extension*

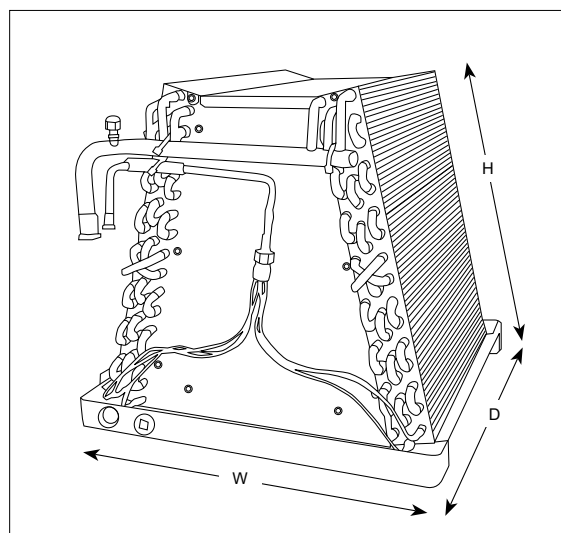
## SERVICE COIL DIMENSIONS

Coil Model	Nominal Tonnage	Dimensions			Weight	Pallet Qty	Factory Piston
		Pan Widths (W)"	Pan Depth (D)"	Coil Height (H)"			
CMH18/24PM3MN	1.5 - 2	18"	19.5"	11"	22	8	53
CMH36PM3MN	3	18"	19.5"	15"	28	8	73
CMH42/60PM3MN	3.5 - 5	18"	19.5"	19"	45	8	93

*Coils are shipped with R-410A pistons already installed. These are Replacement Service Coils "Only" and are not RATED. For Manufactured Housing Use Only*

## PISTONS

Description	Piston Size	Part Number	Tonnage Outdoor Unit
R22 Pistons	53	176799953	18
	59	176799959	24
	67	176799967	30
	73	176799973	36
	80	176799980	42
	84	176799984	48
	93	176799993	60
R410A Pistons	49	176799949	18
	53	176799953	24
	59	176799959	30
	67	176799967	36
	73	176799973	42
	76	176799976	48
	93	176799993	60
R454B Pistons	53	176799946	18
	59	176799953	24
	67	176799959	30
	73	176799965	36
	80	176799970	42
	84	176799976	48
R32 Pistons	49	176799941	18
	53	176799946	24
	59	176799953	30
	67	176799957	36
	73	176799962	42
	76	176799965	48
	93	176799976	60



"This product complies with all California product labeling laws including, but not limited to, the Safe Drinking Water and Toxic Enforcement Act of 1986, more commonly known as Proposition 65."

*Due to ongoing product improvements, specifications and dimensions are subject to change and correction without notice or incurring obligations. Determining the application and suitability for use of any product is the responsibility of the installer.*

*Additionally, the installer is responsible for verifying dimensional data on the actual product prior to beginning any installation preparations.*

*Third party incentive and rebate programs have precise requirements as to product performance and certification.*

*All products meet applicable regulations in effect on date of manufacture; however, certifications are not necessarily granted for the life of a product.*

*Therefore, it is the responsibility of the applicant to determine whether a specific model qualifies for these incentive/rebate programs.*